



CONNECTION ASSESSMENT & APPROVAL PROCESS ASSESSMENT SUMMARY

Applicant: Hydro One Networks Inc.

**Project: E.V. Buchanan TS – Refurbish 230kV Oil
Circuit Breaker DL5**

CAA ID: 2002-EX054

Long Term Forecasts & Assessments Department

Date: August 15, 2002

Assessment Summary

Hydro One Networks Inc.

E.V. Buchanan TS – Refurbish 230kV Oil Circuit Breaker DL5

1.0 Description of Proposal

Hydro One Networks Inc. continuously assesses its current transmission and distribution assets to ensure that its transmission and distribution systems are performing at an acceptable level, are in compliance with any regulatory standards, and are capable of meeting its customers current and future needs. Hydro One Networks Inc. has identified and included in its '2002 Stations and Lines Sustainment Program' facilities that have to be refurbished or replaced.

One of the projects included in the sustainment program is the refurbishment of the existing 230kV 1600A 5-cycle oil circuit breaker DL5 at Buchanan TS. Location of breaker DL5 is shown in Diagram 1. There will not be any modification to other facilities or the protection system at the station.

2.0 Assessment

The proposed refurbishment of the existing 230kV oil circuit breaker DL5 is intended to extend its useful life, but there will not be any improvement in its capability. Following the refurbishment, the breaker would be adequate for the current system with enough margins to accommodate possible future developments in the area. This proposal will bring existing facilities up to acceptable operating conditions and will have no adverse impact on the IMO controlled grid.

3.0 Notification of Approval

Based on the above assessment, it is recommended that a Notification of Approval for this proposal be issued to the applicant.

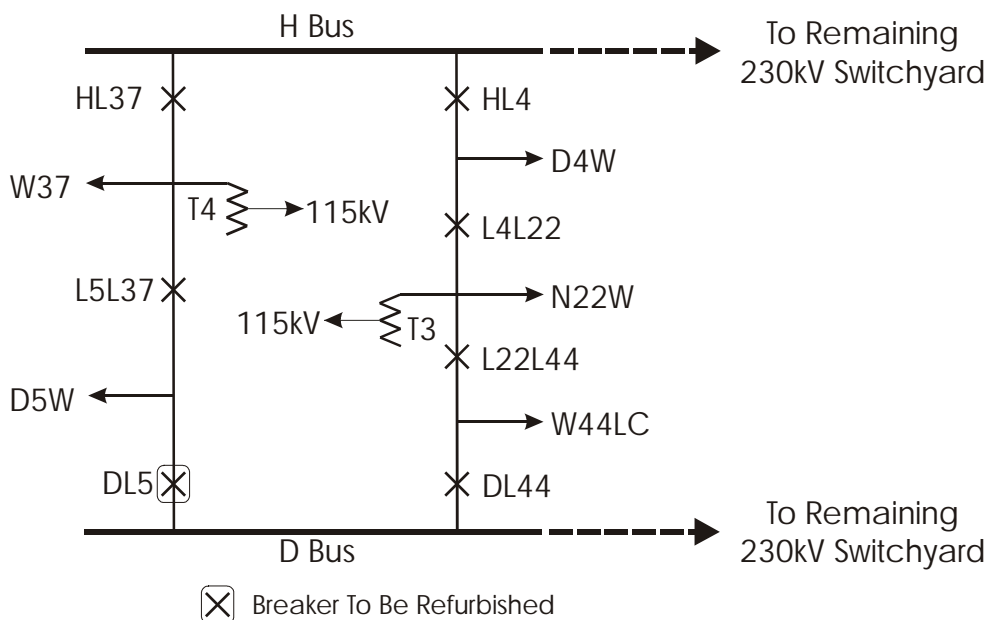


Diagram 1