

December 13, 2010

Mr. Enzo Venditti  
Station Sustainment Planner  
Hydro One Networks Inc.  
483 Bay St., 15th Floor, North Tower  
Toronto, ON  
M5G 2P5



Dear Mr. Venditti:

***New T2-T4 LV Bus Arrangement at Glengrove TS  
Notification of Conditional Approval of Connection Proposal  
CAA ID Number: 2010-EX513***

Thank you for the information regarding the proposed changes to the T2-T4 LV bus arrangement at Glengrove TS.

We have concluded that the proposed changes will not result in a material adverse impact on the reliability of the integrated power system.

The IESO is therefore pleased to grant **conditional approval** for the modification detailed in the attached assessment report. Any material changes to your proposal may require re-assessment by the IESO in accordance with Market Manual 2.10, and may nullify your conditional approval.

**Final approval** to connect the facility to the IESO-controlled grid will be granted upon successful completion of the IESO Market Entry process including, without limitation, satisfactory completion of the requirements set out in the System Impact Assessment report. During this process you will be expected to demonstrate that you have fulfilled the requirements and that the facility you have installed is materially unchanged from the proposal assessed by the IESO. Please refer to the '**External Guidelines for Connection to the IESO**' attachment in your approval email for key steps in the Market Entry process. In order to initiate this process, please contact Market Entry at [market.entry@ieso.ca](mailto:market.entry@ieso.ca) at least eight months prior to your energization date.

For further information, please contact the undersigned.

Yours truly,

Barbara Constantinescu  
Manager – Market Facilitation  
*Telephone:* (905) 855-6406  
*Fax:* (905) 855-6319  
*E-mail:* [barbara.constantinescu@ieso.ca](mailto:barbara.constantinescu@ieso.ca)  
*cc:* IESO Records

---

All information submitted in this process will be used by the IESO solely in support of its obligations under the *Electricity Act, 1998*, the *Ontario Energy Board Act, 1998*, the *Market Rules* and associated policies, standards and procedures and in accordance with its licence. All information submitted will be assigned the appropriate confidentiality level upon receipt.

**Final Report - Expedited System Impact Assessment  
Hydro One Networks****1.0 GENERAL DESCRIPTION & PROPOSED MODIFICATIONS**

Hydro One Networks Inc. is replacing the end of life A5-A6 metalclad (13.8 kV) switchgear at Glengrove TS with new A7-A8 metalclad (13.8 kV) switchgear at Toronto Hydro's request. The two existing 13.8 kV breakers (T2A5A6 and T4A5A6) are being replaced with four new 13.8 kV breakers (T2A7, T2A8, T4A7 and T4A8).

The scheduled in-service dates are April 2011 for the A7 bus and July 2011 for the A8 bus.

Glengrove TS is a 2 DESN station radially supplied from Leaside TS via the 115 kV circuits L2Y and D6Y.

The old and new arrangements are shown in figure 1 at the end of the document.

**2.0 TECHNICAL SPECIFICATIONS**

The specifications of the 13.8 kV equipment are not part of this assessment.

The new configuration will eliminate the loss of both buses for a fault on one of the buses.

**3.0 REQUIREMENTS**

The proponent must notify the IESO as soon as it becomes aware of any changes to the assumptions made in the connection assessment. The IESO will determine whether these changes require a re-assessment.

**IESO Monitoring Requirements**

In accordance with the telemetry requirements for transmitters (see Appendices 4.16, 4.20 and 4.21 of the Market Rules) the connection applicant must install equipment at this project with specific performance standards to provide telemetry data to the IESO. The data is to consist of certain equipment status and operating quantities which will be identified during the IESO Market Entry Process. For this proposed project, the IESO will require the status associated with the new breakers.

**Facility Registration/Market Entry Requirements**

The connection applicant must complete the IESO Facility Registration/Market Entry process in a timely manner before IESO final approval for connection is granted.

As part of the IESO Facility Registration/Market Entry process, the connection applicant must provide evidence to the IESO confirming that the equipment installed meets the Market Rules requirements and matches or exceeds the performance predicted in this assessment.

Provided that the TSC requirements are satisfied, the IESO does not have additional requirements.

**4.0 ASSESSMENT & CONCLUSIONS**

This expedited System Impact Assessment concludes that the new metalclad (13.8 kV) switchgear is not expected to have a material adverse impact on the IESO-controlled grid.

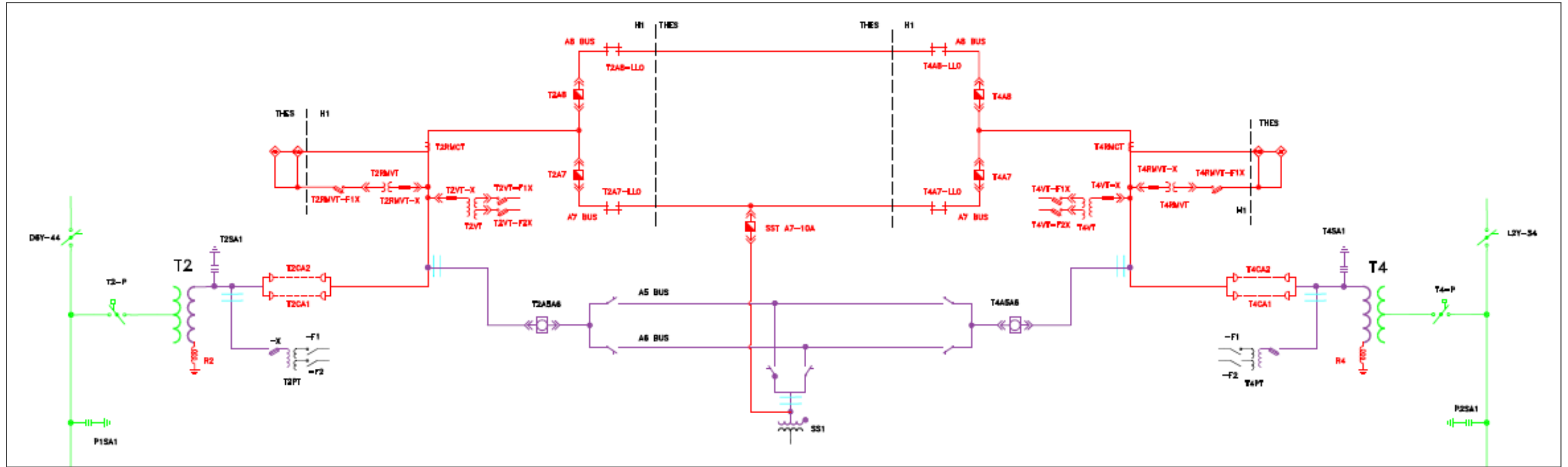


Figure 1 – Proposed A7-A8 (13.8 kV) Metalclad Arrangement for T2 and T4 at Glengrove TS  
 (Red indicates new equipment; double blue bars indicate where the old equipment will be removed)